



ARTEMISEA

147' 1" (44.81m) | Intermarine | 2002

ARTEMISEA

BASIC SPECIFICATIONS

BUILDER

Intermarine

BEAM (ft/m)

28' 3" (8.6m)

CRUISING/MAX SPEED

12 / 15 Knots

CREW

9

RANGE

3000 nm

LENGTH (ft/m)

147' 1" (44.81m)

DRAFT (ft/m)

8' 11" (2.7m)

FUEL CONSUMPTION

290 Litres/Hr

ACCOMMODATION

10 guests in 5 cabins

INTERIOR DESIGNER

Zuretti Interior Design

BUILT/REFIT

2002 / 2024

GROSS TONNAGE

447 GT

ENGINES

2 x Caterpillar 1350 hp

ARRANGEMENTS

2 Single, 3 Double

ARTEMISEA

KEY FEATURES

- › MAJOR REFIT IN INTERIOR AND EXTERIOR IN 2024
- › 5 BEAUTIFULLY APPOINTED STATEROOMS INCLUDING A FULL BEAM MASTER SUITE
- › LARGE EXTERIOR SPACES
- › SUNDECK WITH JACUZZI AND PLENTY OF LOUNGING SPACE
- › BIG ARRAY OF WATER TOYS
- › EXTREMELY LOW CONSUMPTION

ARTEMISEA

WATER TOYS

- › 1 X 4.75M ZODIAC WITH OUTBOARD YAMAHA 90HP
- › 2 X SUP INFLATABLE
- › 1 X CANOE/KAYAK
- › 1 X RIOT 3-PERSON TOWABLE TUBE
- › MONO SKI
- › 1 X AB JET TENDER 4.35M
- › 1 X SEABOB F5 S
- › 1 X WAKEBOARD
- › INFLATABLE TOYS (SOFA, BANANA, TUBES)
- › MORE TOYS TBA
- › 2 X YAMAHA WAVERUNNERS EX 1050 (2021)
- › 1 X INFLATABLE PLATFORM
- › 1 X KNEEBOARD
- › WATER SKI

ARTEMISEA



ARTEMISEA









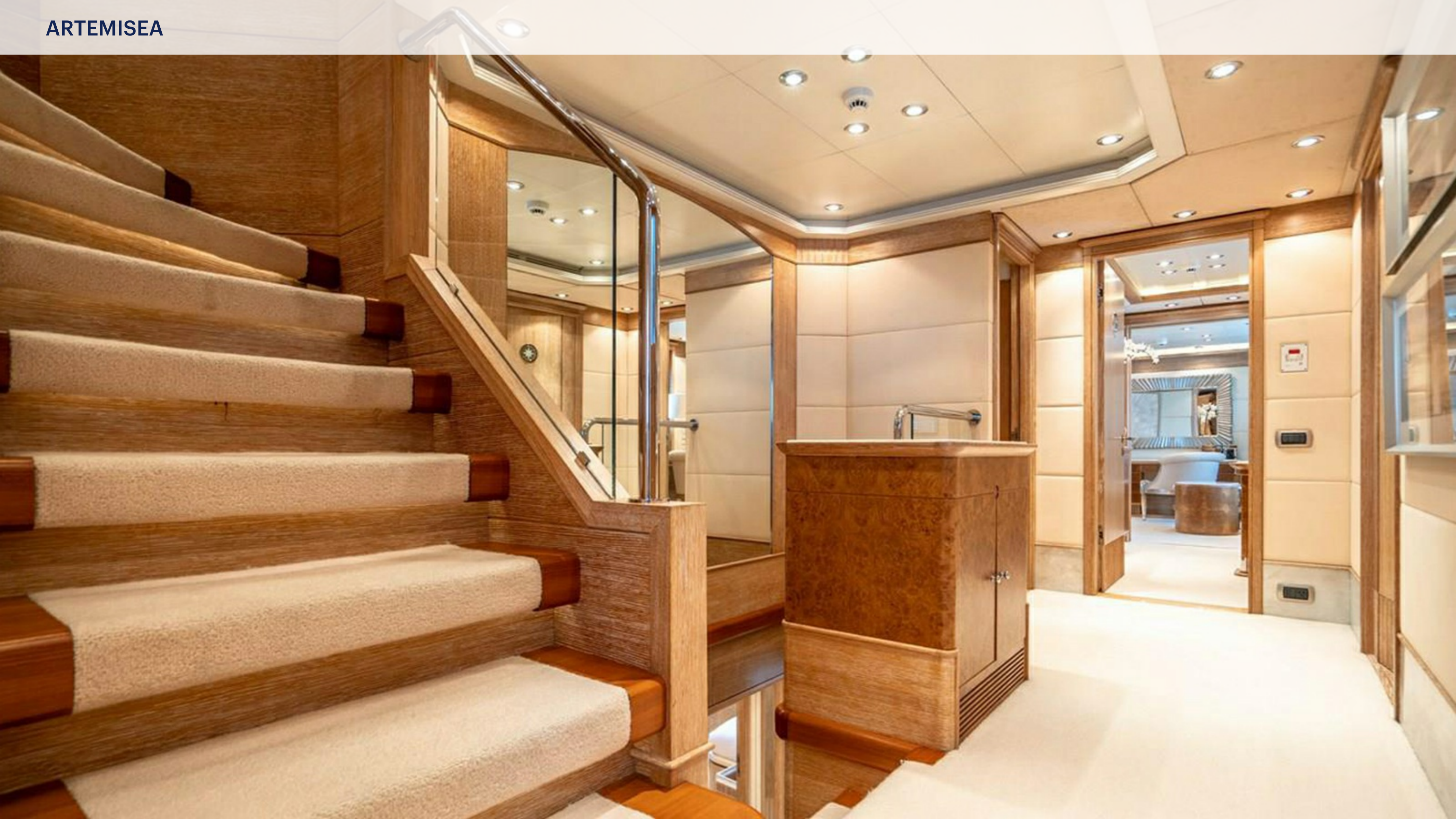






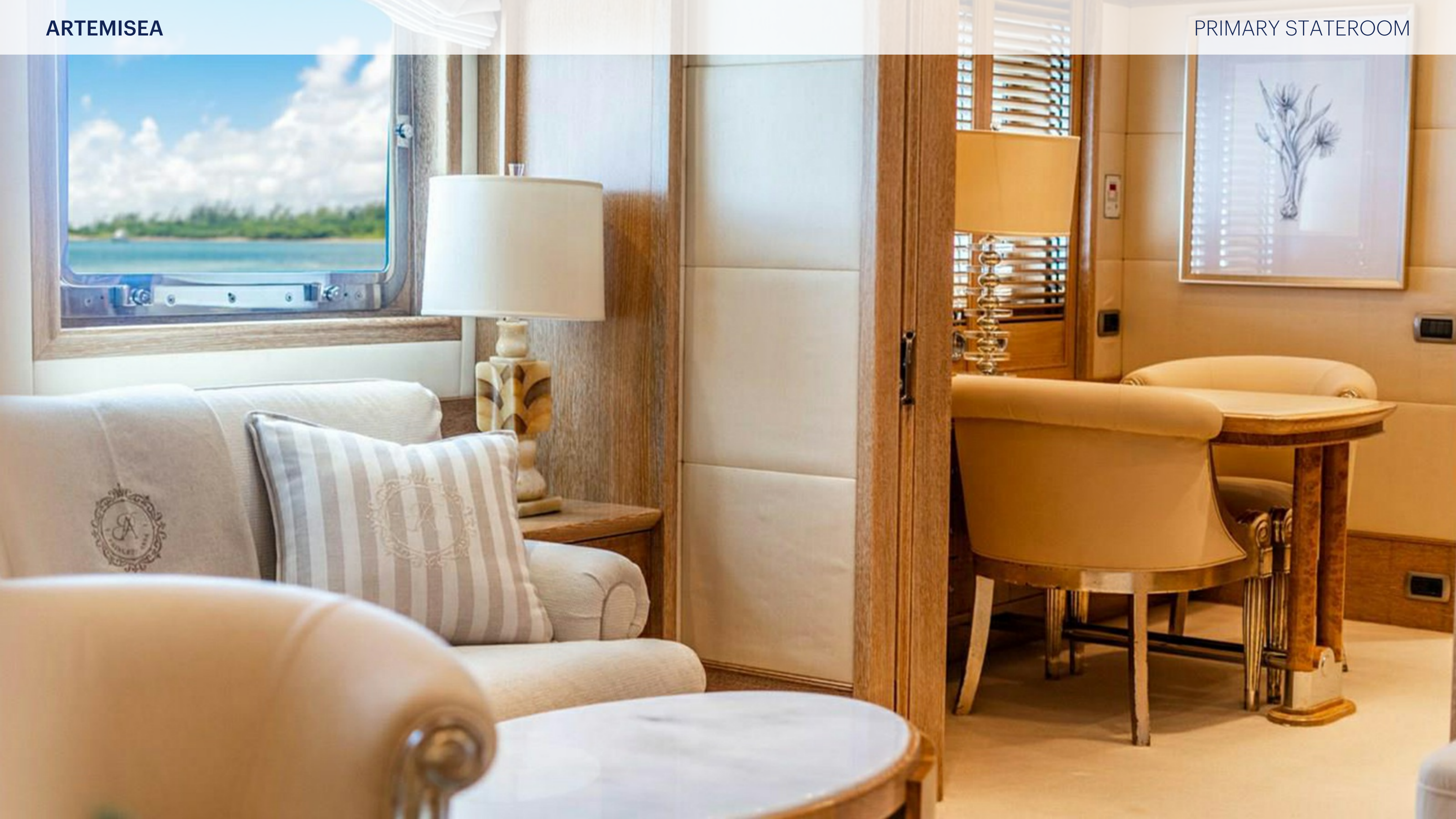


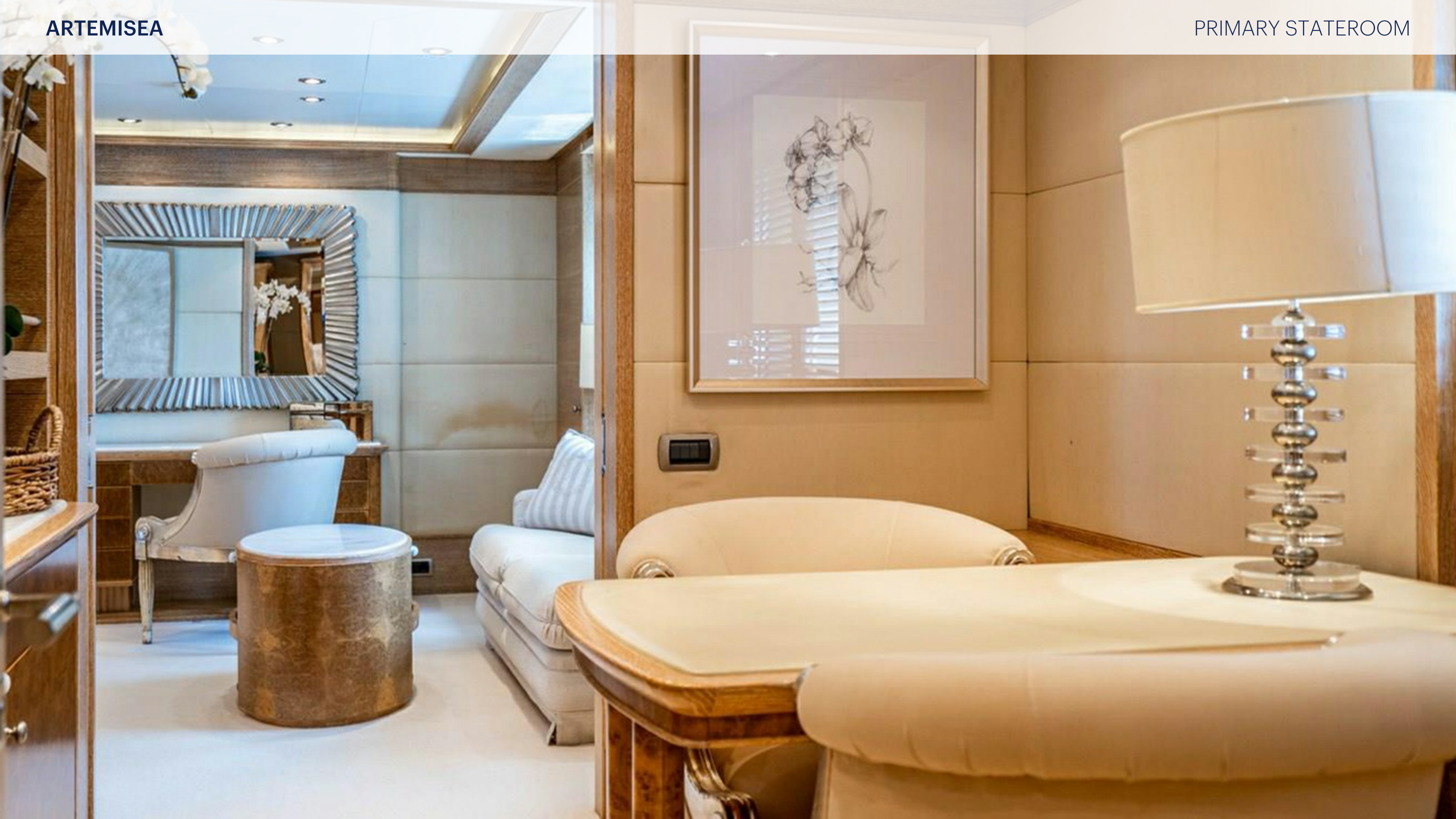






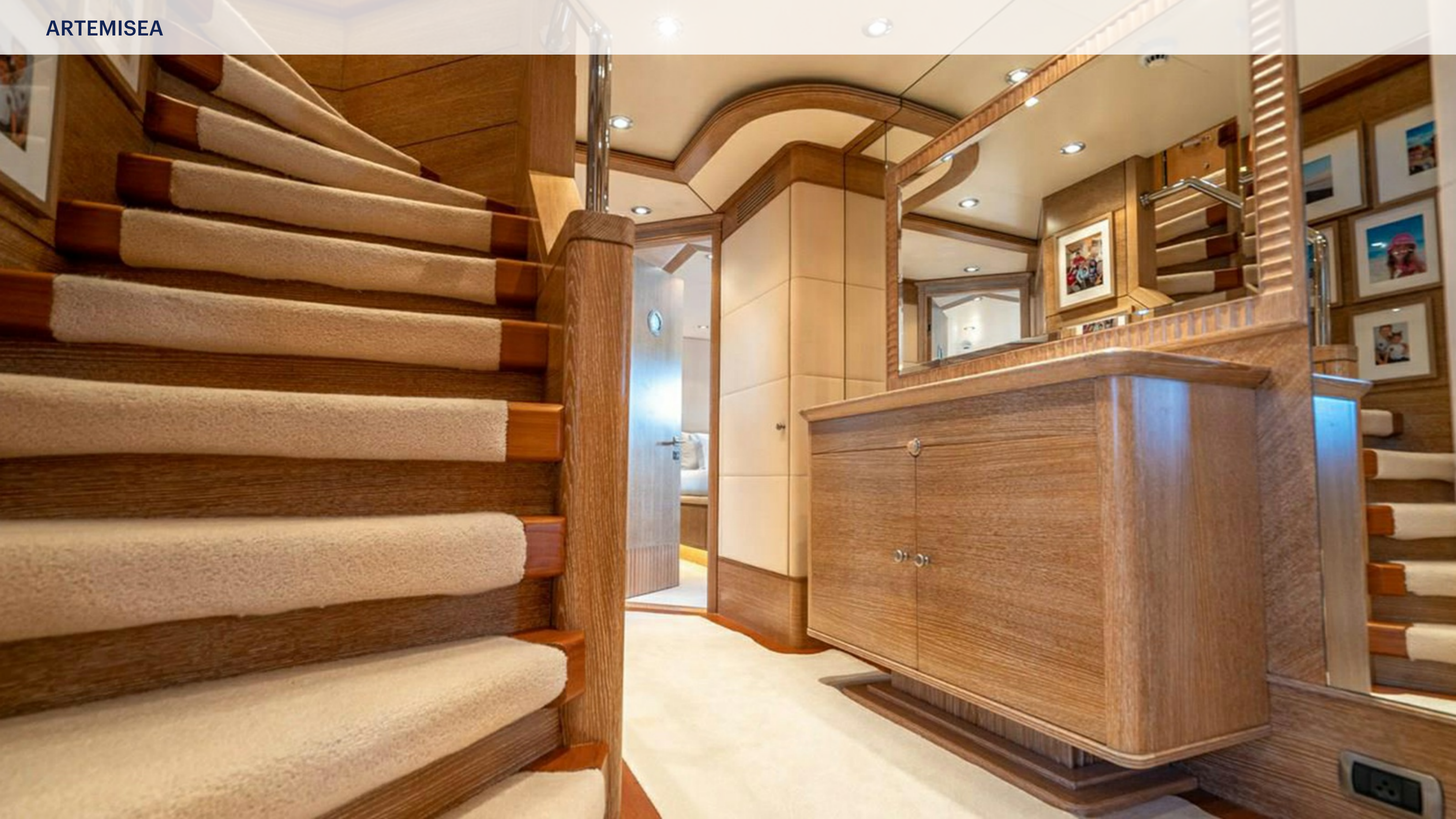
































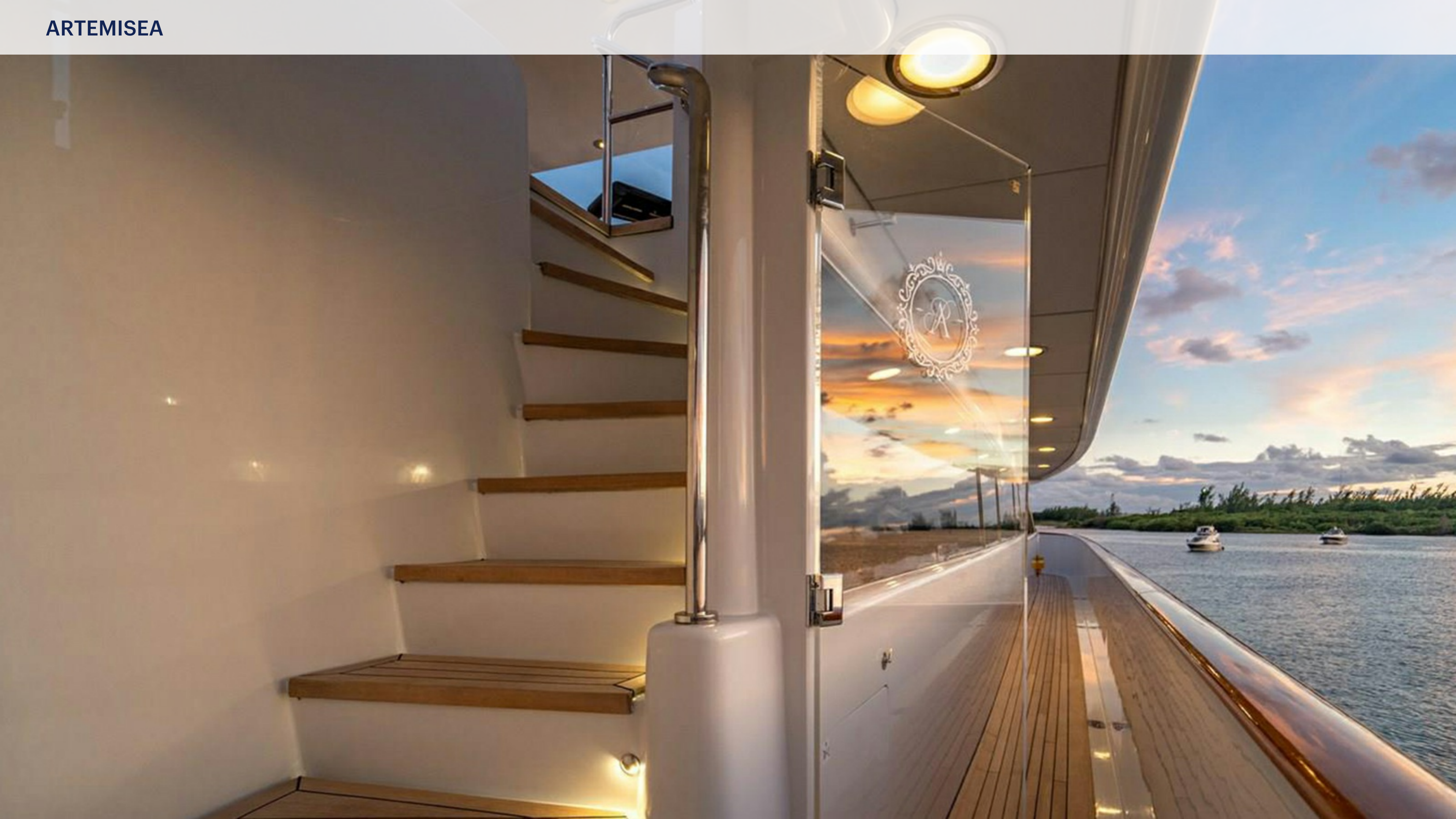
















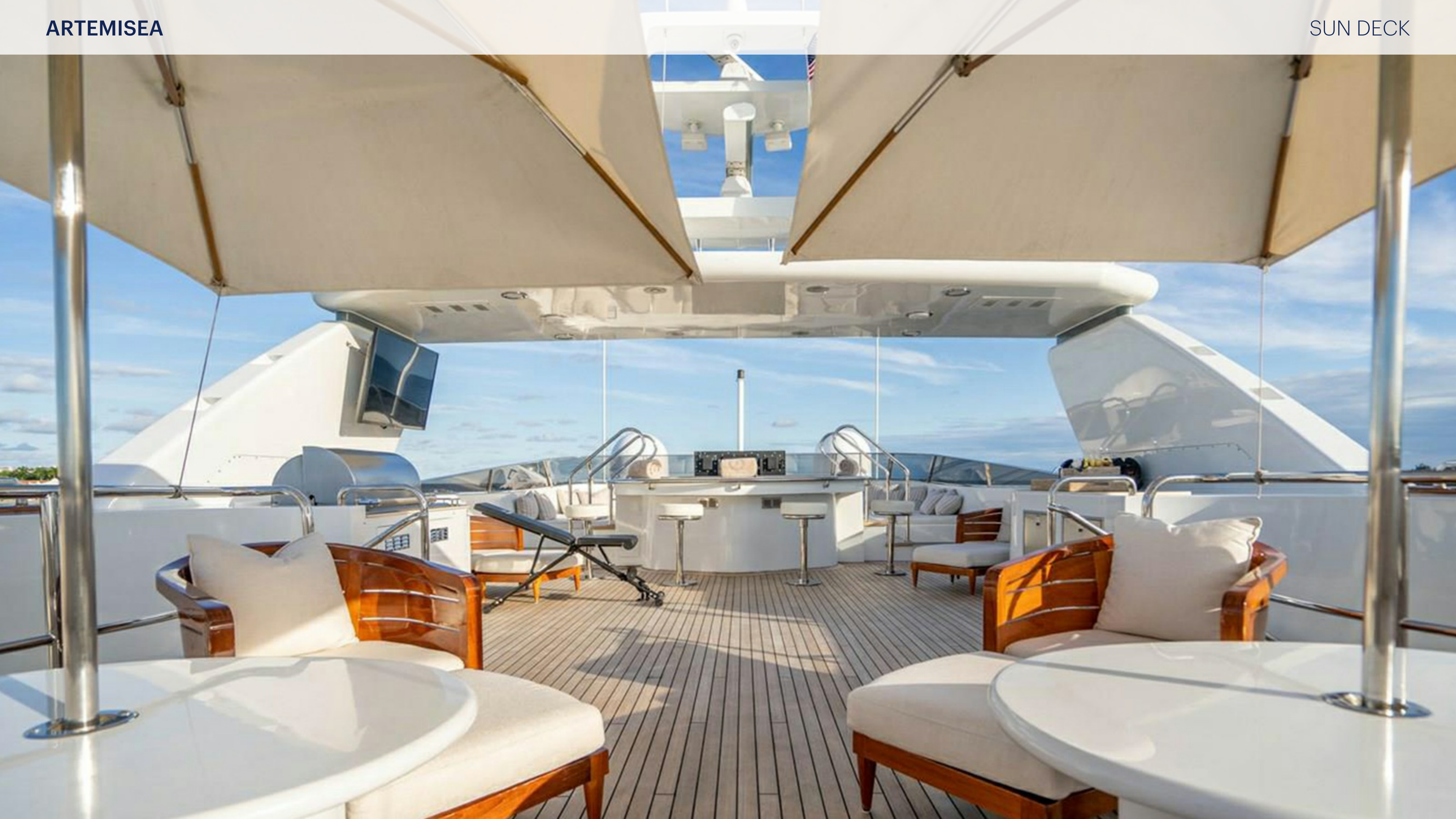








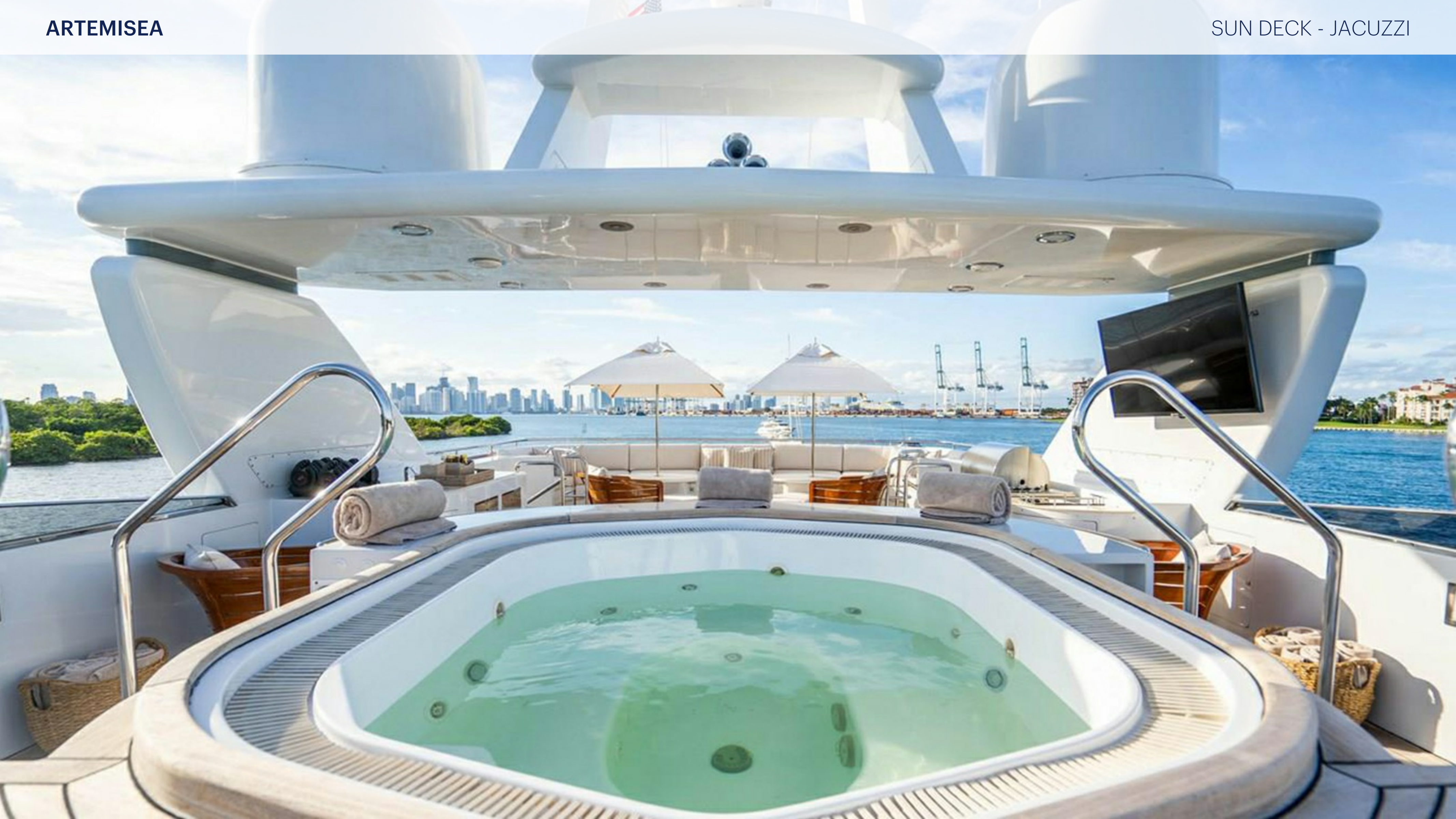


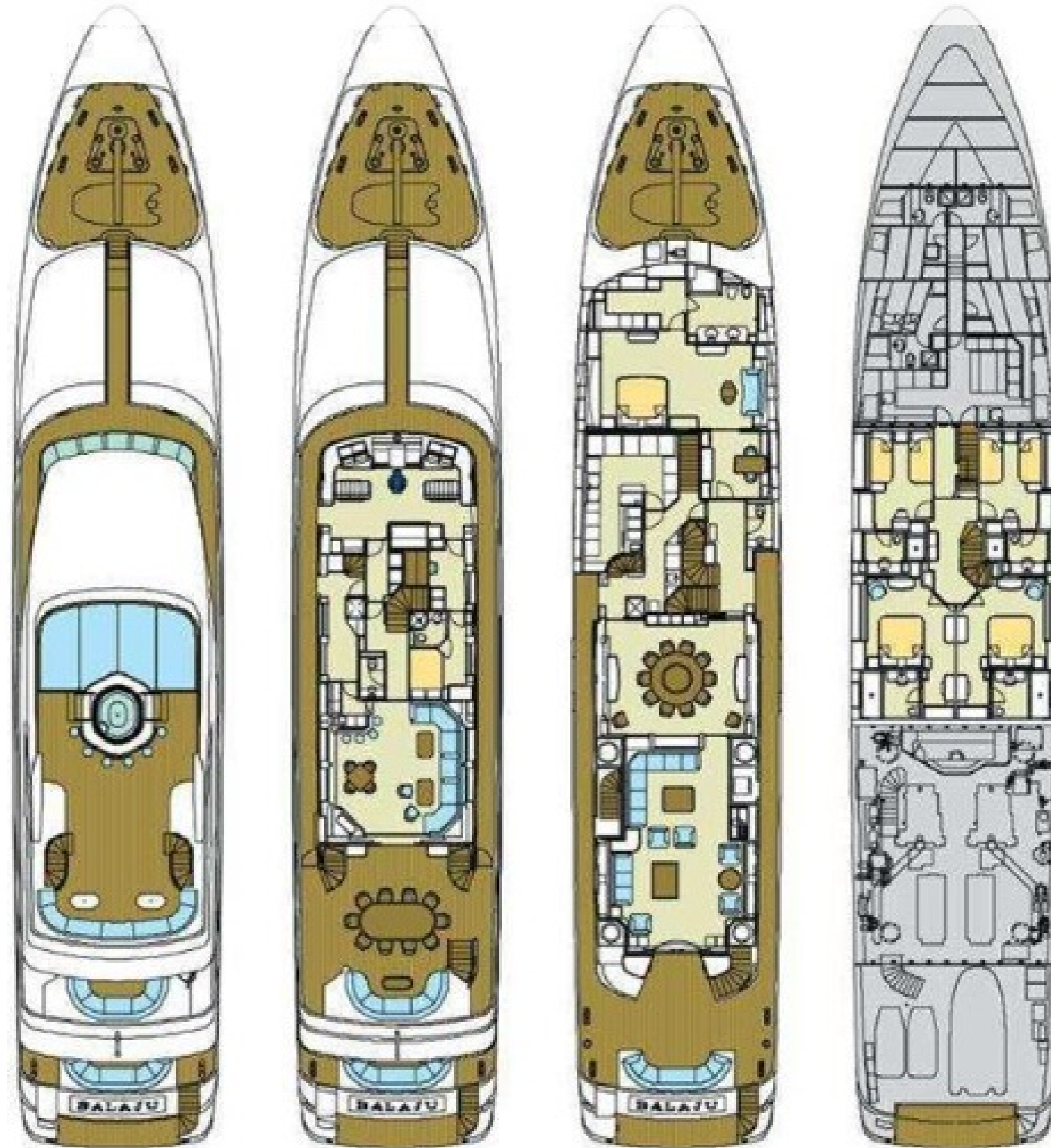


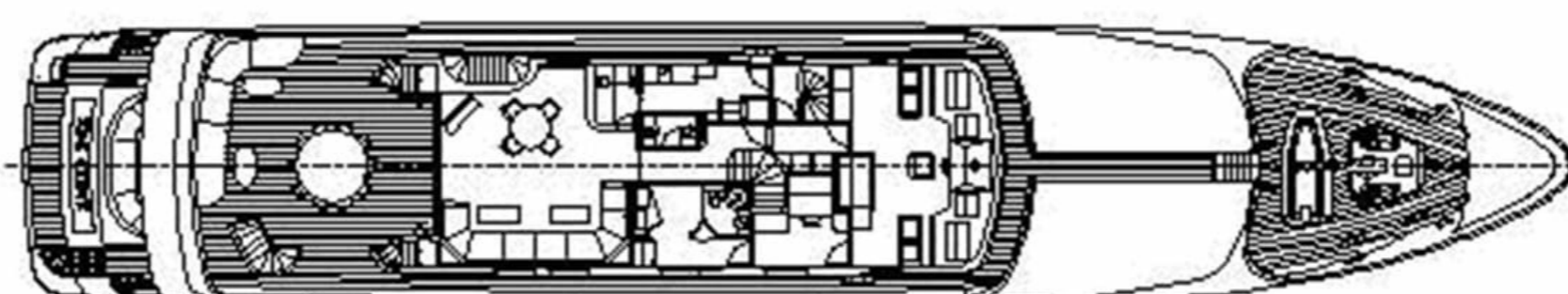
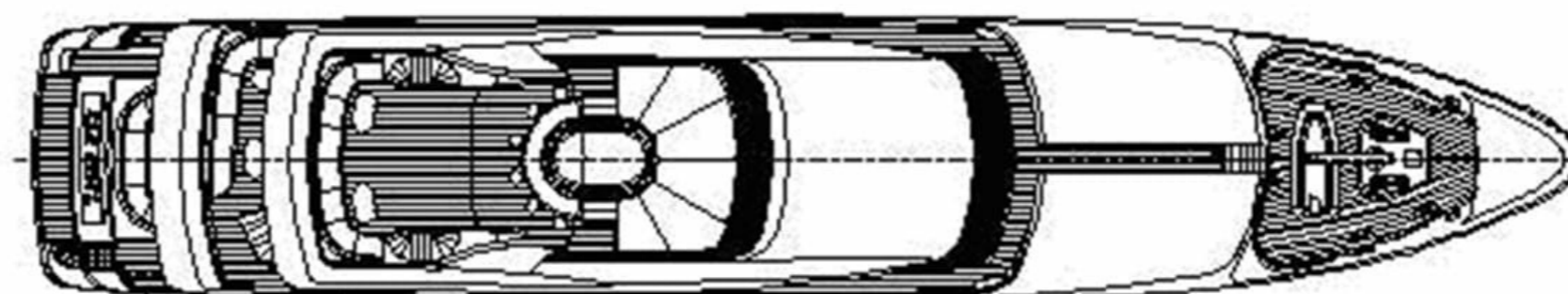




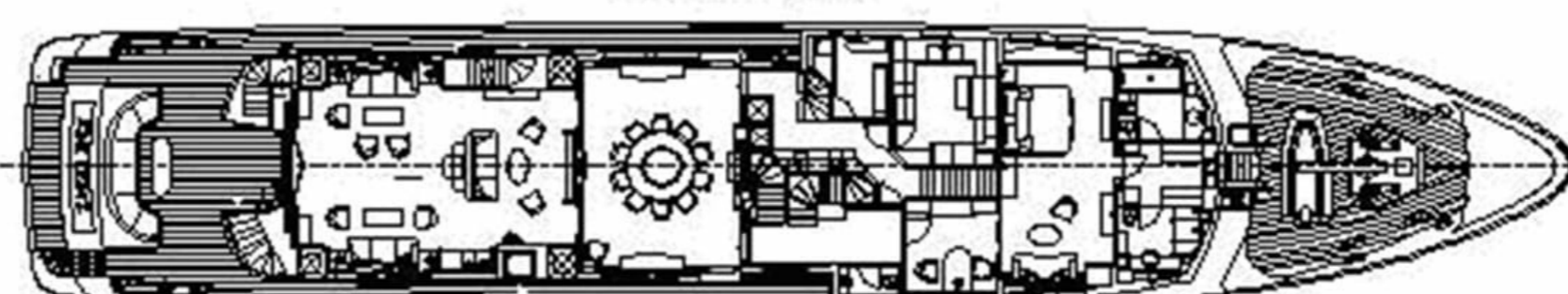




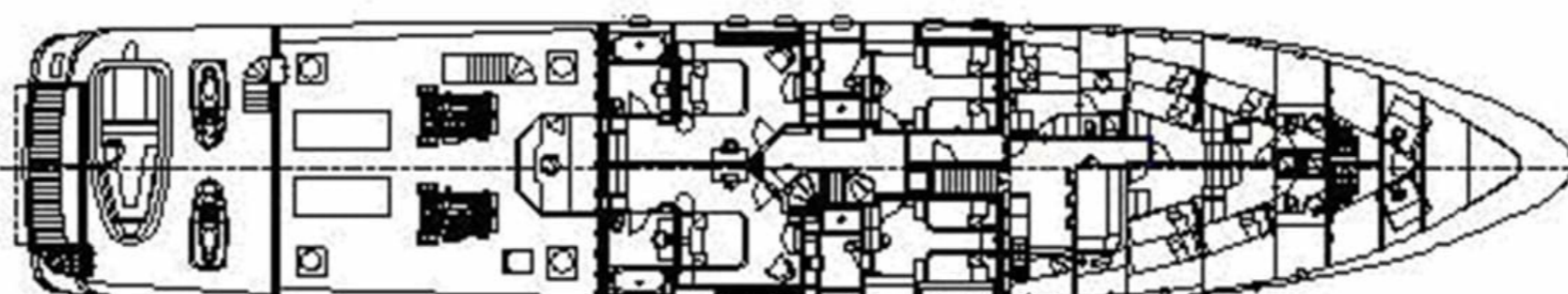




BRIDGE DECK



MAIN DECK



LOWER DECK

