



NECKER *BELLE*



📍 "AS LONG AS I CAN REMEMBER I'VE BEEN FASCINATED BY THE WORLD'S OCEANS, AND I'VE SPENT A GREAT DEAL OF TIME SAILING THEM IN ALL KINDS OF CONDITIONS. I'M THEREFORE EXTREMELY PLEASED TO WELCOME YOU TO NECKER BELLE. AS THE NAME IMPLIES, THE EXPERIENCE ON BOARD IS NOT UNLIKE A MOBILE VERSION OF NECKER ISLAND, MY HOME AND FAVOURITE HIDEAWAY. I HOPE YOU ENJOY SAILING HER AS MUCH AS I DO!"

Richard Branson

SIR RICHARD BRANSON





"WELCOME ON BOARD NECKER BELLE!
YOU'LL BE GETTING TO KNOW OUR
CREW WHILE YOU'RE WITH US AND
WE LOOK FORWARD TO MAKING YOUR
EXPERIENCE AN UNFORGETTABLE
ONE. THERE IS DEFINITELY PLENTY
TO KEEP YOU OCCUPIED, FROM
WATERSPORTS ACTIVITIES TO DINING
ON DECK TO EXPLORING THE DEEP ON
A SCUBA DIVE! IF THERE'S ANYTHING
MORE WE CAN DO TO MAKE YOUR
STAY MORE ENJOYABLE PLEASE LET
US KNOW."

THE NECKER BELLE CREW



Ⓞ SETTING SAIL





⊙ YOUR FLOATING HOME





📍 DINING ON BOARD





⊙ ACTIVITIES ON BOARD

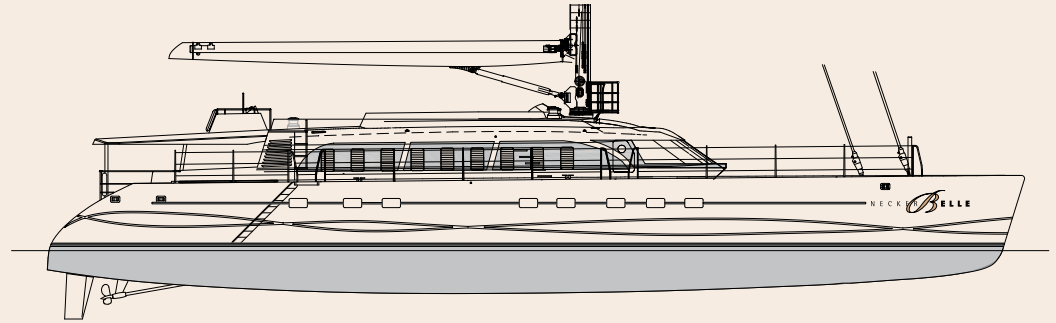


NECKER NYMPH

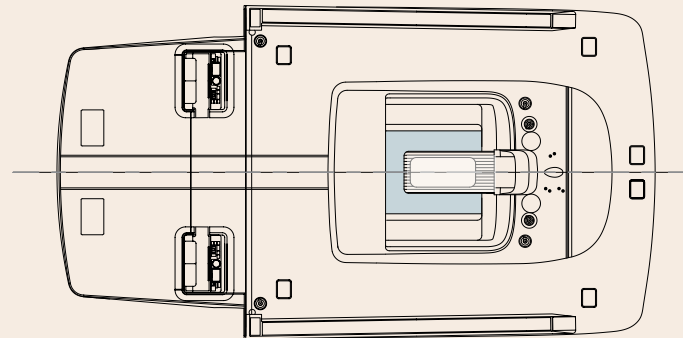




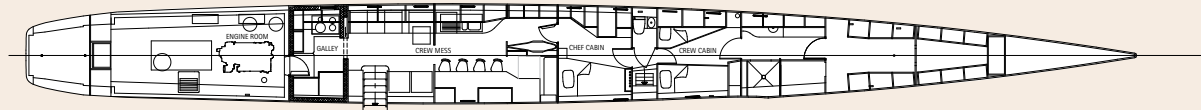
OUTBOARD PROFILE



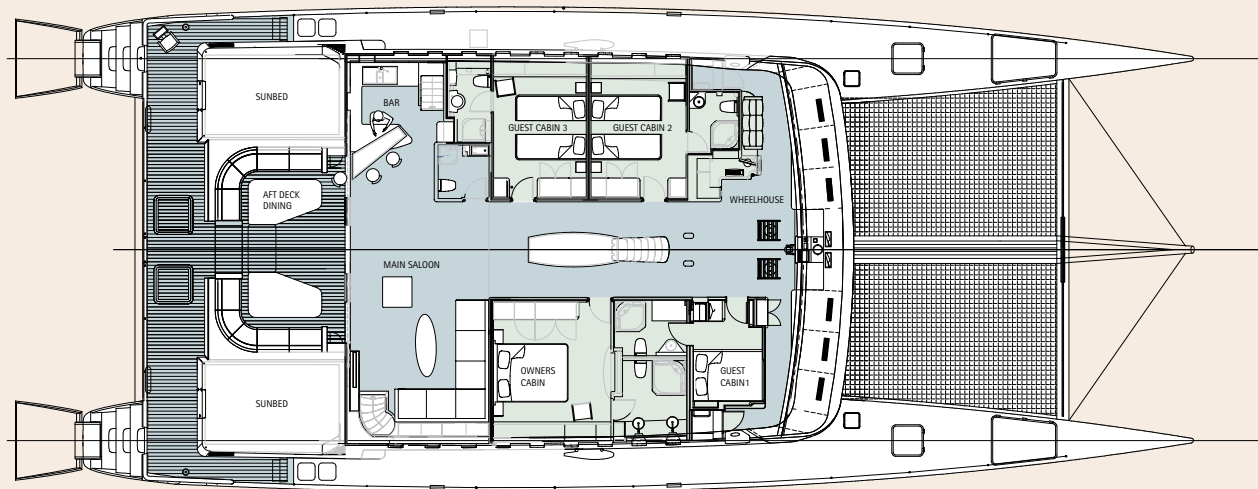
UPPER DECK



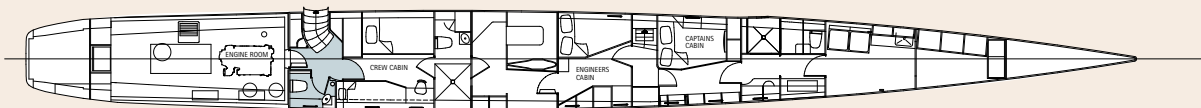
PORT HULL



MAIN DECK



STARBOARD HULL







NECKER *BELLE*